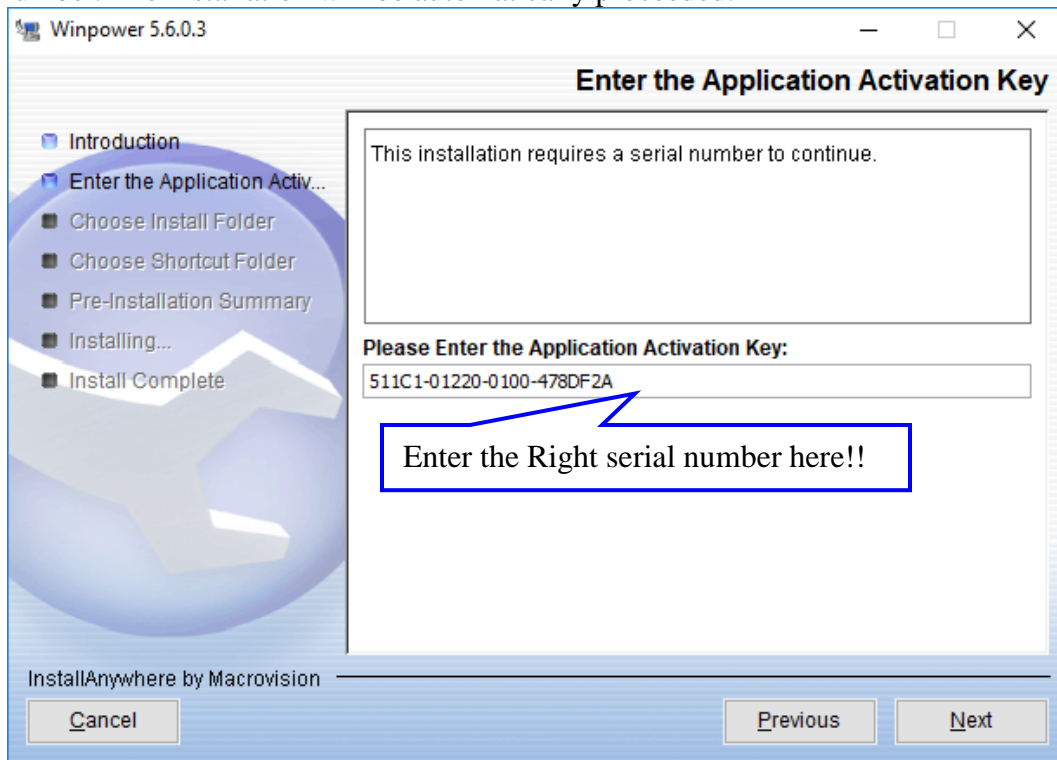
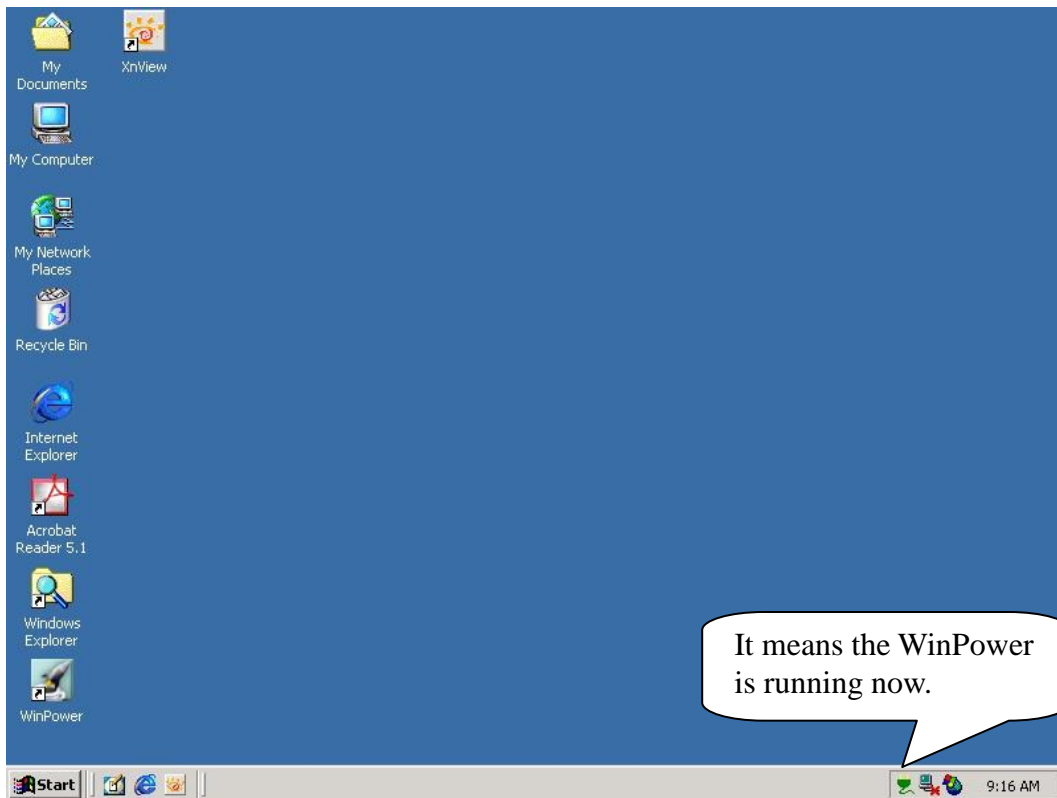


## Quick Installation and Setup for WinPower Software

- A. On the WinPower Installation menu, simply follow on-screen instructions and key in the software serial number. The installation will be automatically proceeded.



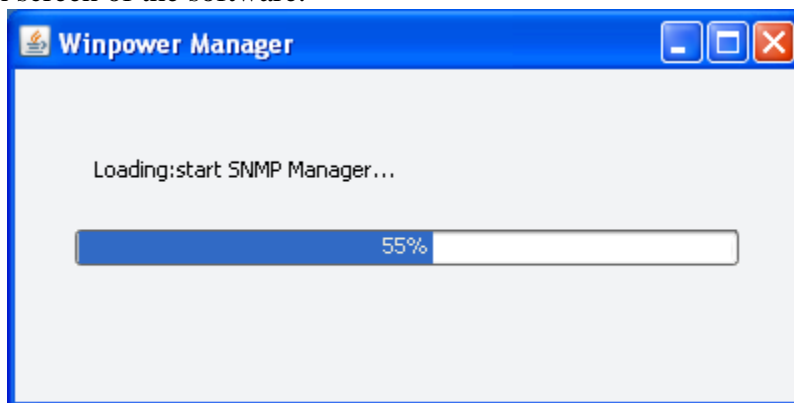
- B. The software will start automatically after the Operation System is started. WinPower appears as a "Green Plug" icon in the right bottom corner of the Traybar.



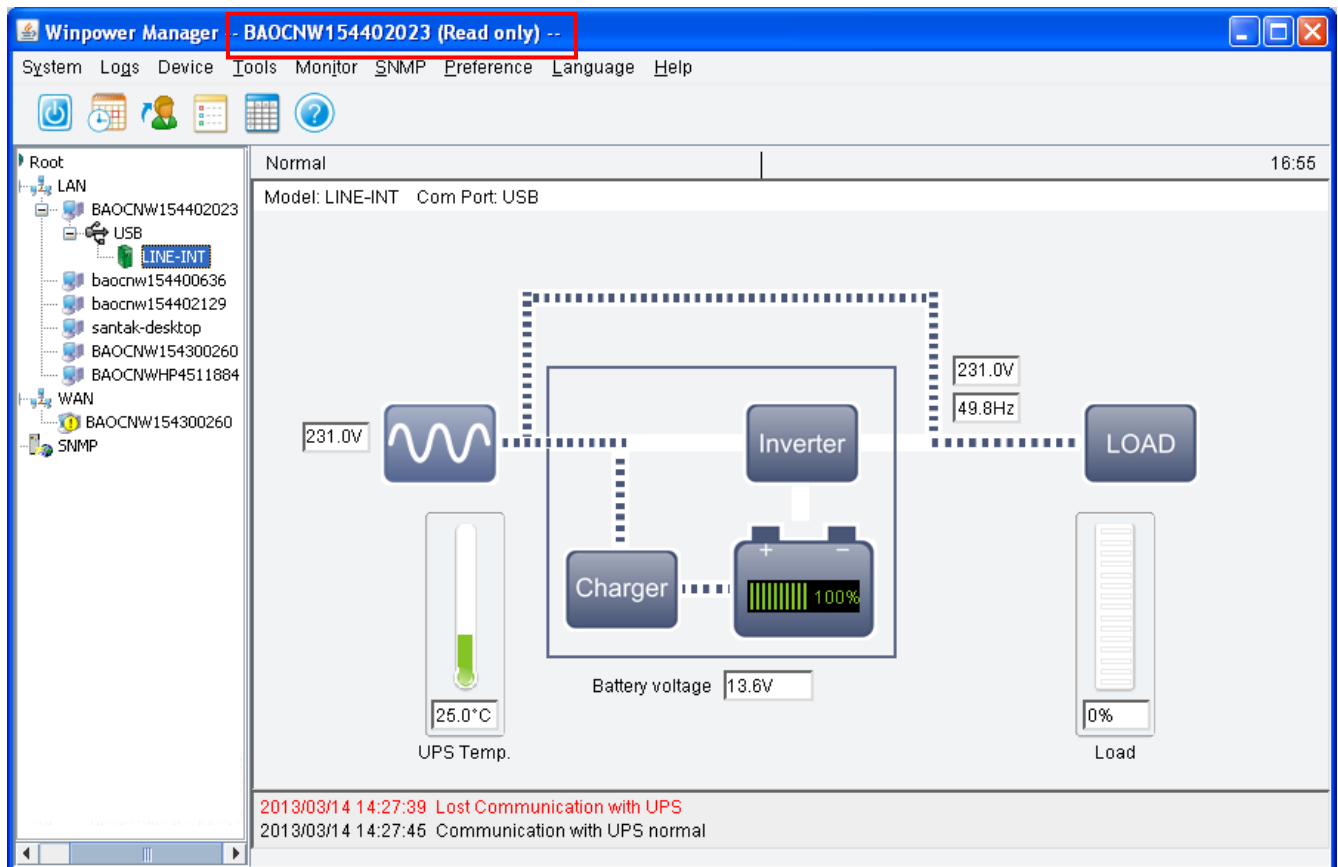
- C. After you start the system and the WinPower is also running in the Traybar, you have to use “Right Click” on the Green Plug then click on “Start the Monitor “to switch on the main screen of the software.



- D. After step C, you would see the screen is switching on as below message. After it runs to 100% you will see the main screen of the software.



- E. Here is the main screen of the software. Before you login the software as an administrator, you will see a (**Read only**) message on the title of the software. It means that you only can monitor the UPS and you cannot change any setting of the software or the UPS.



F. To change settings, you need to log in WinPower as an administrator by going to “Act as Administrator” option of System section. The default password is Administrator.

Winpower Manager -- BAOCNW154402023 (Read only) --

System Logs Device Tools Monitor SNMP Preference Language Help

Act as Administrator  
Modify Administrator Password

Auto Search Device  
COM Port Setting

Exit

baocnw154400636  
baocnw154402129  
santak-desktop  
BAOCNW154300260  
BAOCNWH4511884  
WAN  
BAOCNW154300260  
SNMP

Normal  
Model: LINE-INT Com Port: USB

231.0V  
49.8Hz

Inverter

Charger

Battery voltage 13.6V

UPS Temp. 25.0°C

LOAD

0%

2013/03/14 14:27:39 Lost Communication with UPS  
2013/03/14 14:27:45 Communication with UPS normal

Winpower Manager -- BAOCNW154402023 (Read only) --

System Logs Device Tools Monitor SNMP Preference Language Help

Root  
LAN  
BAOCNW154402023  
USB  
LINE-INT  
baocnw154400636  
baocnw154402129  
santak-desktop  
BAOCNW154300260  
BAOCNWH4511884  
WAN  
BAOCNW154300260  
SNMP

Normal  
Model: LINE-INT Com Port: USB

The default password is Administrator

Administrator  
Password: .....

OK Cancel

231.0V  
49.8Hz

Inverter

Charger

Battery voltage 13.6V

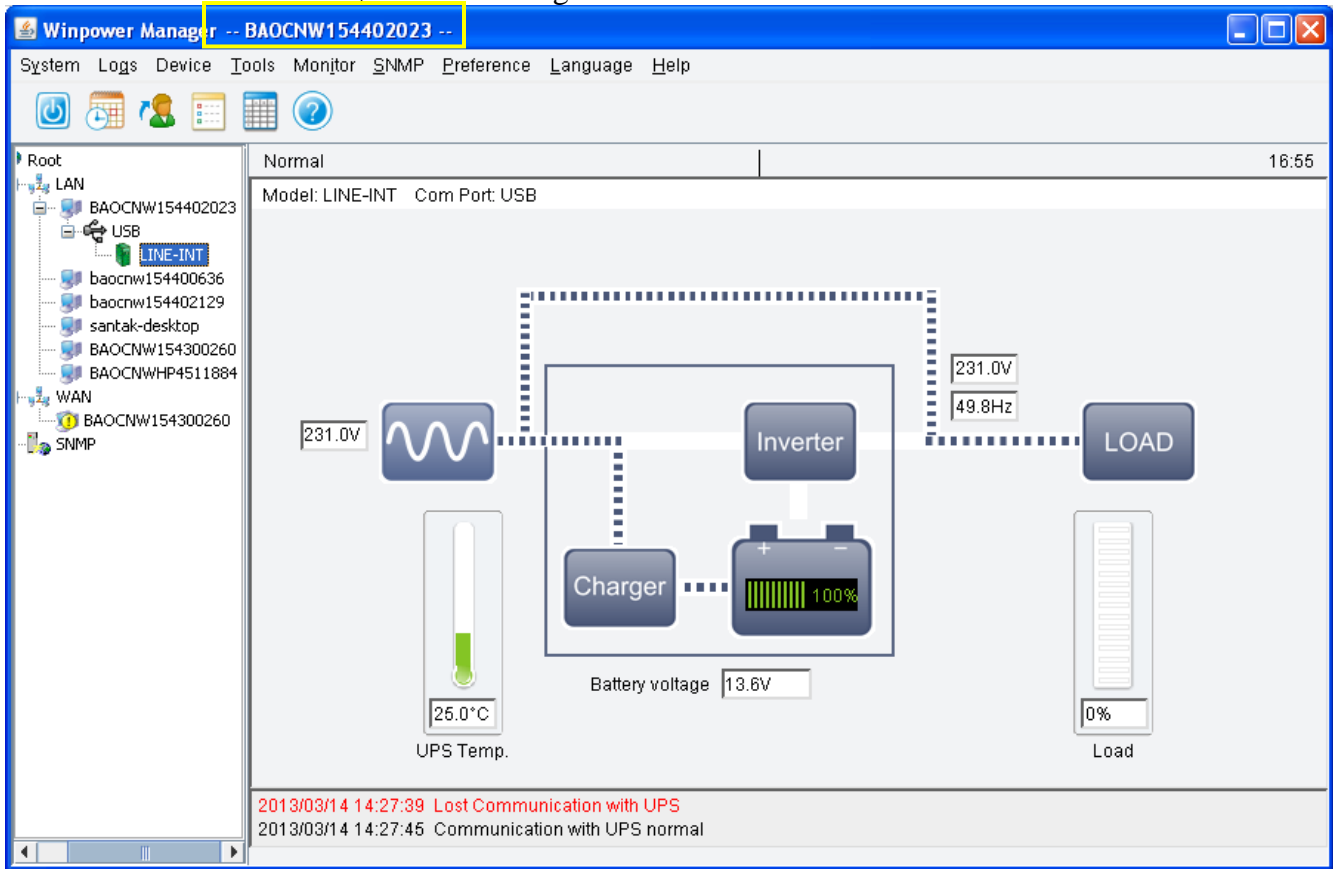
UPS Temp. 25.0°C

LOAD

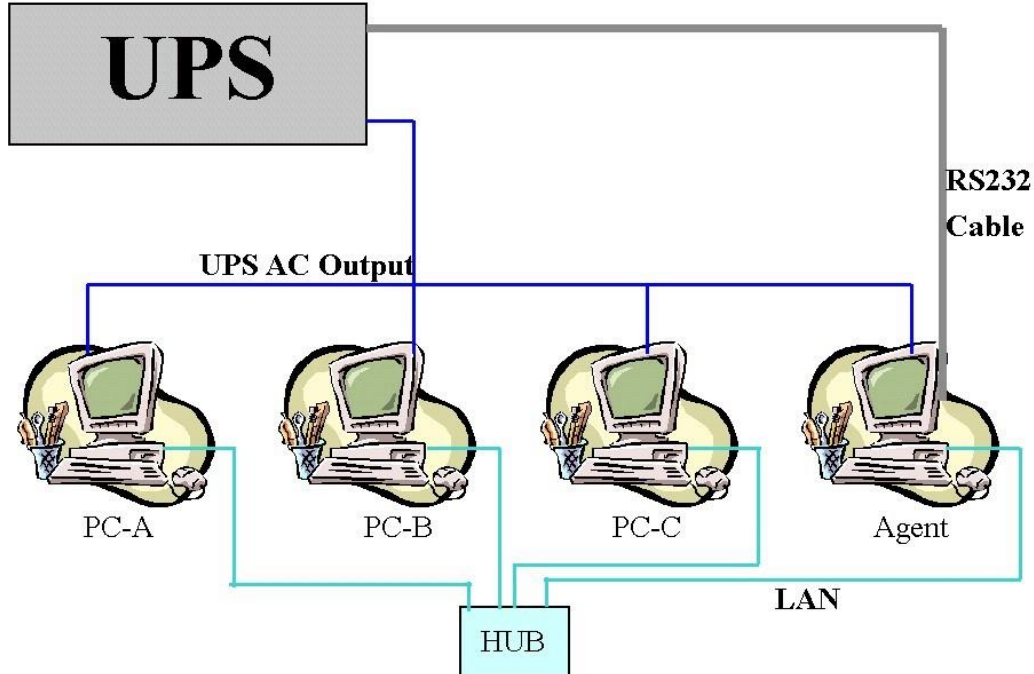
0%


2013/03/14 14:27:39 Lost Communication with UPS  
2013/03/14 14:27:45 Communication with UPS normal

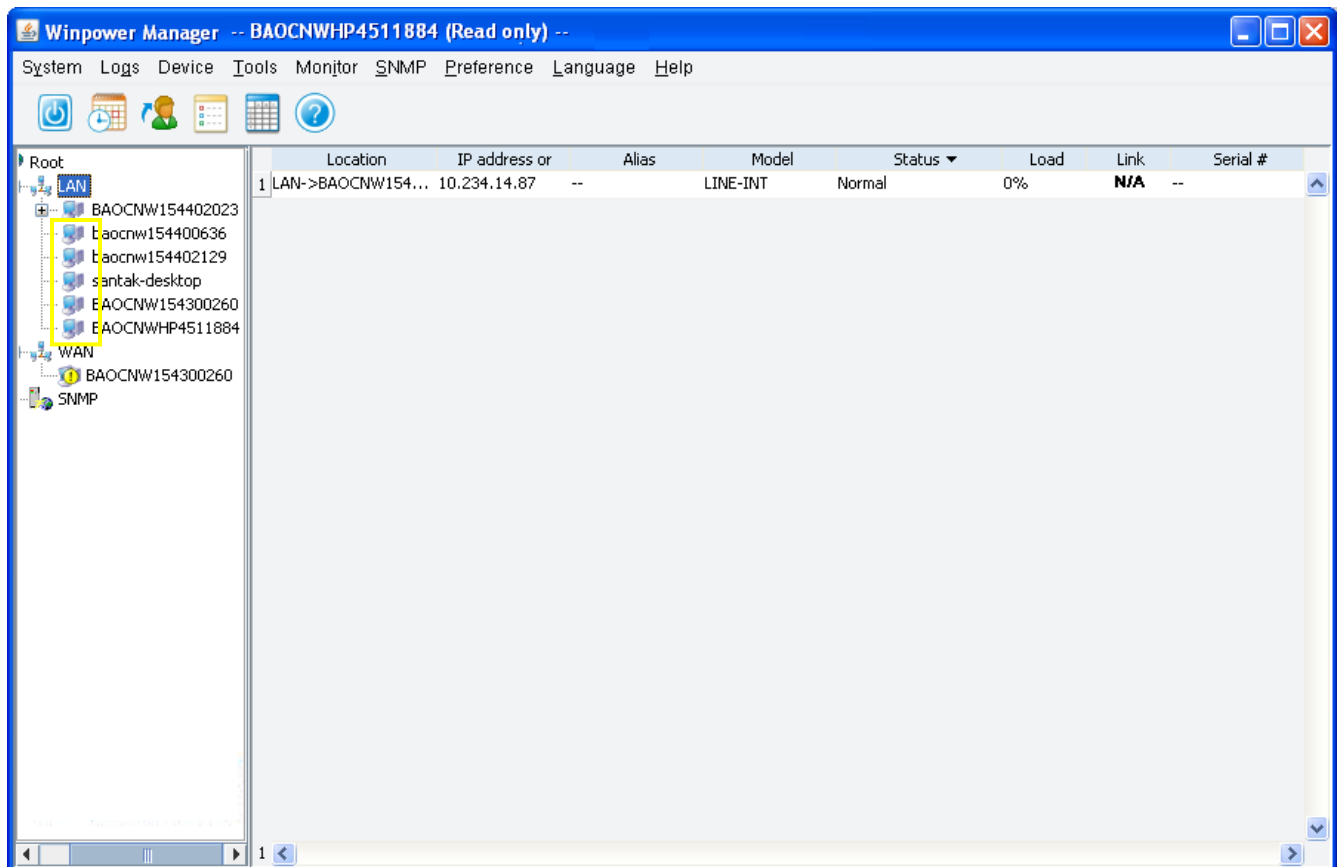
G. Now, you can find the information of **(Read only)** is gone. Hence, you can go access other sheets of the software to have your own setting for the software and the UPS now.



## Function Explanation of “Shutdown Parameter”



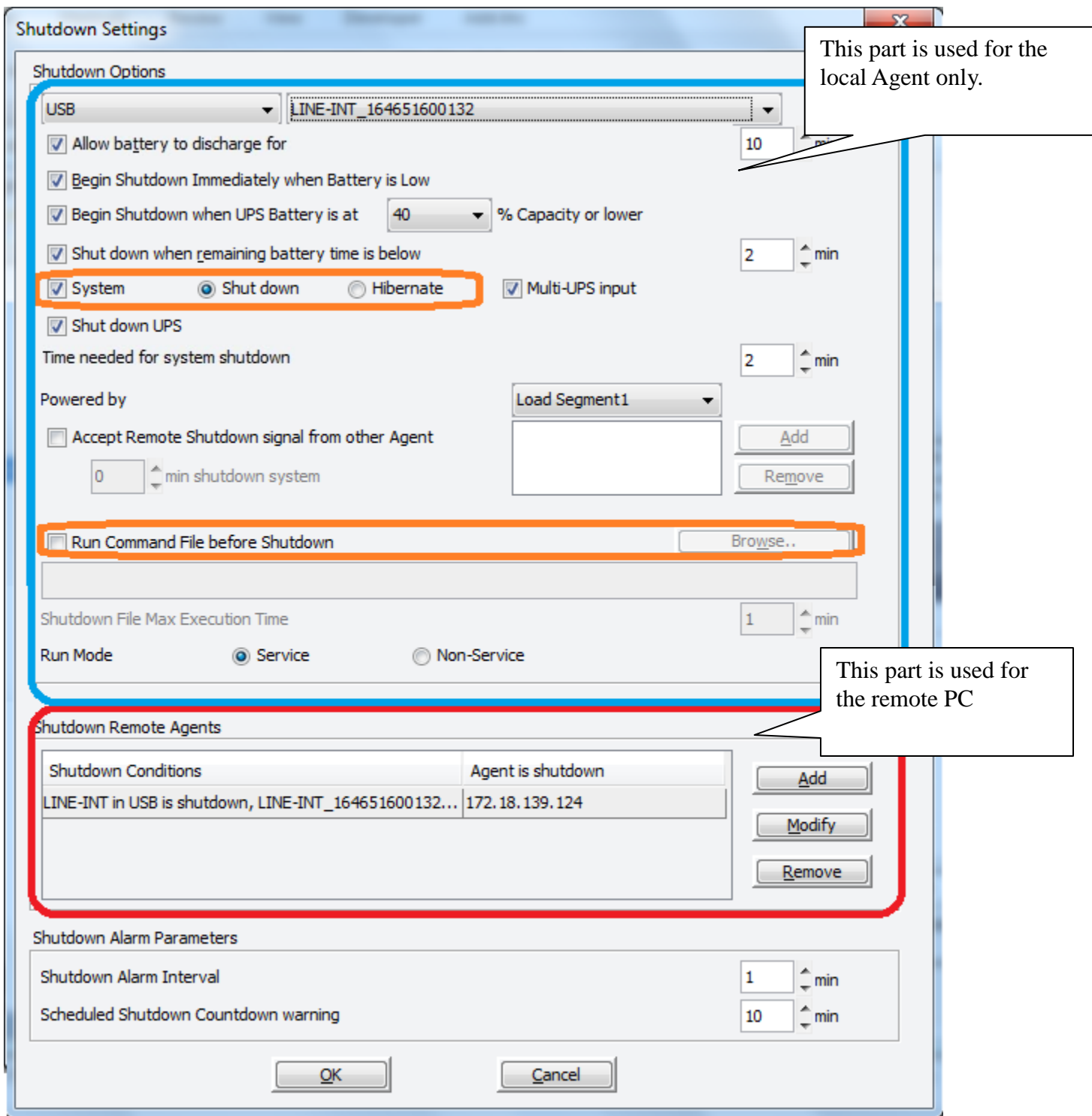
1. To support the remote monitor/control function of WinPower, you need to have the similar connection as above. It means that the Agent is connected to the UPS via RS232/USB and the other Computers are protected via the AC Power only and all the computers are communicated under the same Network with LAN.
2. All the computers need to install the WinPower software to keep them with the same interface for remote shutdown application. **If you don't install the WinPower on them then you would not able to do the remote monitor/control.**
3. Owing to the fact that there is no RS232 cable connect to PC-A ~ PC-C, so you will see the message of “no connection”. Moreover, you would find that these PC is without the  in the front of the PC listed in the WinPower monitor screen as below.



4. If all the computers are communicated within the “same section of network”, the software will detect all PC which is installed the WinPower and show them in the left window of WinPower as above photo.

Notes: “Same section of network” means the three front numbers of its IP address is the same just like 192.168.1.XXX.

5. If the IP address is out of the same section of the Agent, you have to key-in the IP manually for doing the remote monitor/control via “Monitor”->”Monitor Remote Device”
6. There are two major parts of the sheet of “Shutdown Parameter” in the WinPower as below.



7. There are three items will effect the UPS backup time of the local Agent as below.

- A. Battery Backup Time (AA minutes)
- B. Begin shutdown immediately while battery low/battery remaining time is below the setting value /battery capacity is below the setting value
- C. System shutdown need time (CC minutes)

7-1. In normal status, when the backup time reaches the value of AA minutes, the WinPower would send the

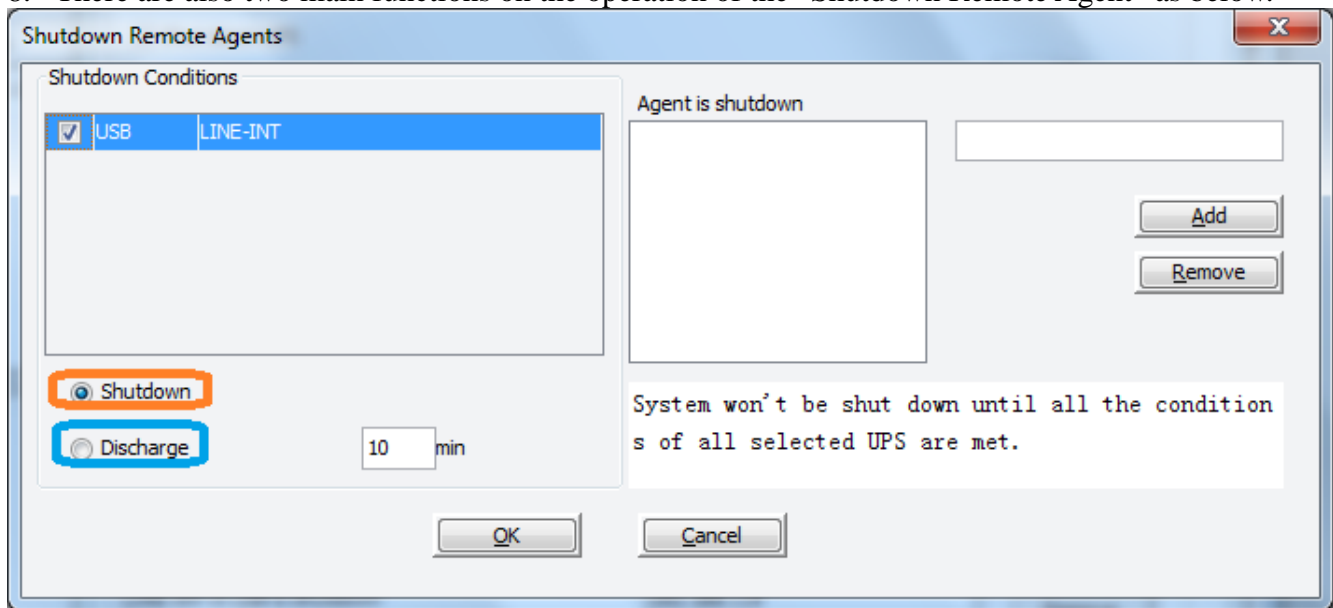


command to shutdown the PC. After the CC minutes, the UPS would also shutdown automatically. It means the UPS will work in battery mode for AA+CC minutes.

7-2. If you enable the function of item B, once the UPS transfer to battery mode for XX minutes ( $XX < AA$ ) and the UPS start to inform the low battery warning. Then the WinPower would send the command to shutdown the PC. After CC minutes, the UPS would also shutdown automatically. It means the UPS will transfer to battery mode for  $XX+CC$  minutes.

7-3. If you disable the function of item B, once the UPS transfer to battery mode for XX minutes ( $XX < AA$ ) and the UPS start to inform the low battery warning. The UPS would still keep working till AA minutes. If the UPS could not support the load till AA minutes, the UPS and the load (PC) would shutdown directly when the battery is empty. If the UPS could support the load till AA minutes, when the backup time reaches the value of AA minutes, the WinPower would send the command to shutdown the PC. After the CC minutes, the UPS would also shutdown automatically. It means the UPS will transfer to battery mode for  $AA+CC$  minutes.

8. There are also two main functions on the operation of the “Shutdown Remote Agent” as below.



The item of “Shutdown” means that when the UPS of the Agent is going to shutdown, the WinPower will send out the shutdown command to the remote PC of the IP that you added in the below space.

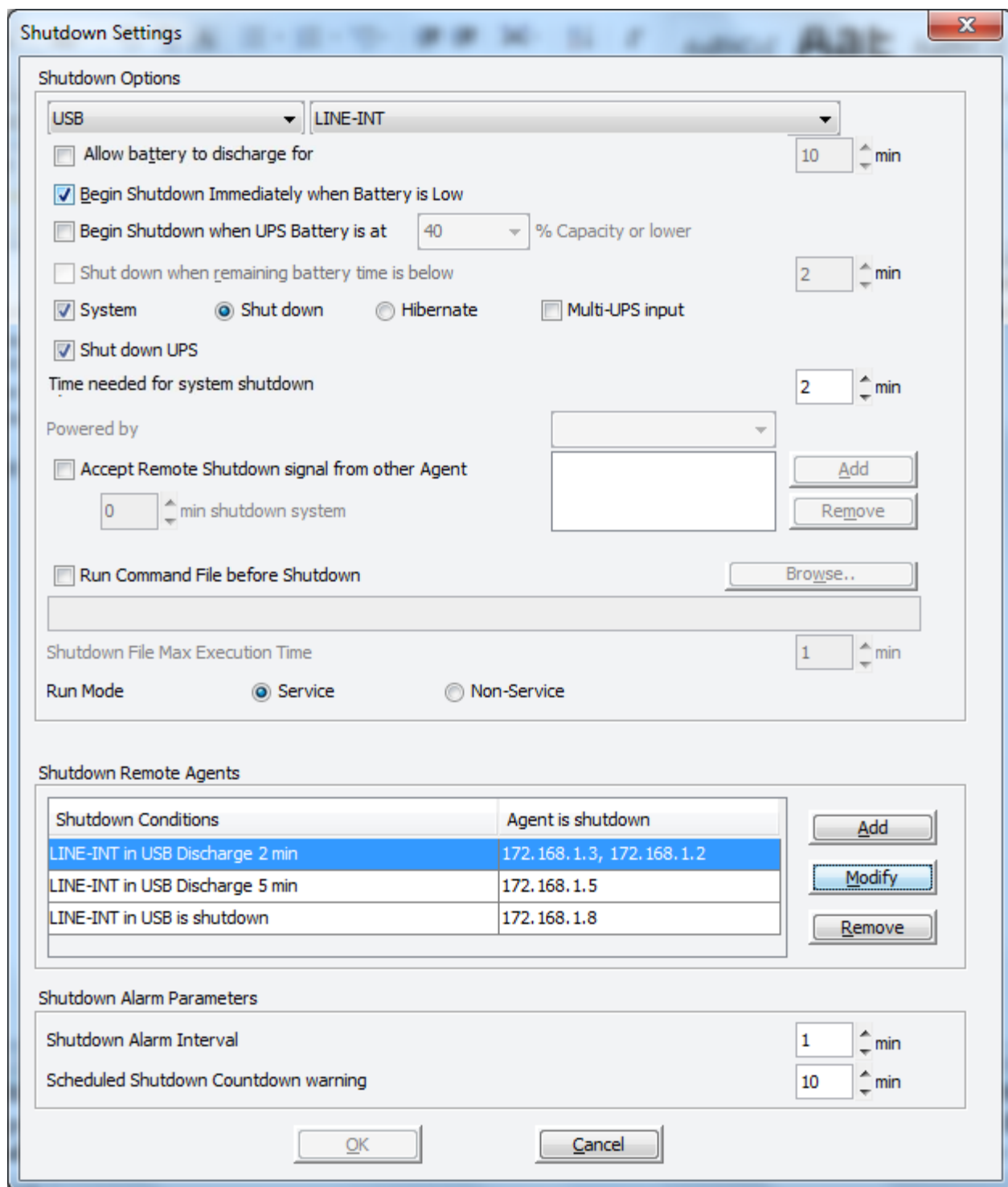
The item of “Discharge” means that when the UPS of the Agent transfer to battery for XX minutes, the WinPower will send out the shutdown command to the remote PC of the IP that you added in the below space.

**Hence, you only can change the time setting when you select this item.**

If there are more than one UPS in the shutdown conditions list, you can set different shutdown condition of each UPS according your actual status.

For example, if there are two UPS (UPS A and UPS B) in the shutdown conditions list, UPS A and UPS B supply power to the remote agent at the same time. Once there is no power for the remote agent, the remote agent will be shut down safely. You should set shutdown condition of UPS A and UPS B, the remote agent won't be shut down until all the condition of UPS A and UPS B is met.

9. Below setting is on the Agent.



9-1. Refer to the left setting, it means that the backup time of the UPS in USB is 10 minutes.

9-2. When the UPS of the Agent transfer to battery mode for 2 minutes, the Agent will send out the shutdown command to 172.168.1.2 & 172.168.1.3.

9-3. When the UPS of the Agent transfer to battery mode for 5 minutes, the Agent will send out the shutdown command to 172.168.1.5

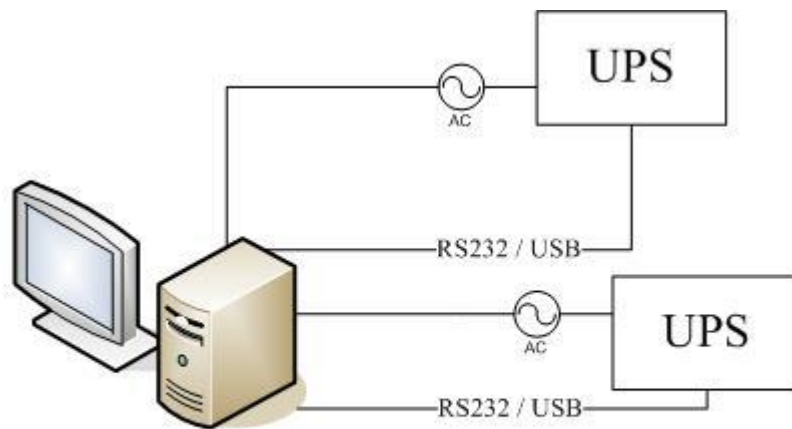
9-4 When the UPS of the Agent is going to shutdown (10 minutes on this sample), the Agent will send

out the shutdown command to 172.168.1.8

10. In Remote sides (PC-A, PC-B...), You have to enable the icon of “ Remote Shutdown by Agent” at first. Click “Add” button in the “Shutdown Options”, enter IP address of the Agent in the pop up dialog. Press the “OK” button to finish the setting. After this, When the local Agent received the specified agent's shutdown signal, system can be shutdown in delay time. **If you don't enter the IP address of the Agent, the remote PC would not implement the shutdown procedure after it receives the shutdown command from the Agent.**

11. The new option: Multi-UPS input

If there are more than one UPS supplying power to the local agent as below, you want to safely shut down or suspend the local agent before all UPS can't supply power to the local agent. You should select the “Multi-UPS input” option in the “shutdown settings” dialog of each UPS and set condition, refer to the following picture. The local agent won't be shut down or in suspend mode until all the condition of all UPS is met.



Server powered from two redundant power supply

Shutdown Settings

Shutdown Options

USB | LINE-INT

Allow battery to discharge for 10 min

Begin Shutdown Immediately when Battery is Low

Begin Shutdown when UPS Battery is at 40 % Capacity or lower

Shut down when remaining battery time is below 2 min

System  Shut down  Hibernate  Multi-UPS input

Shut down UPS

Time needed for system shutdown 2 min

Powered by

Accept Remote Shutdown signal from other Agent

0 min shutdown system

Add

Remove

Run Command File before Shutdown

Browse..

Shutdown File Max Execution Time 1 min

Run Mode  Service  Non-Service

Shutdown Remote Agents

Shutdown Conditions	Agent is shutdown

Add

Modify

Remove

Shutdown Alarm Parameters

Shutdown Alarm Interval 1 min

Scheduled Shutdown Countdown warning 10 min

OK Cancel